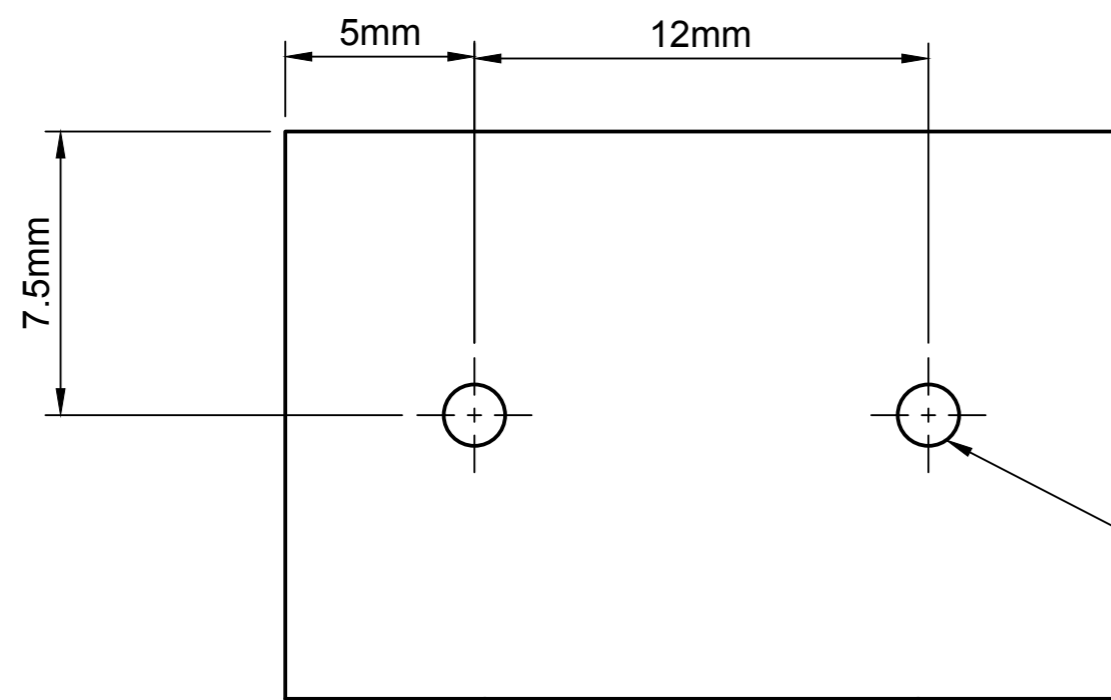
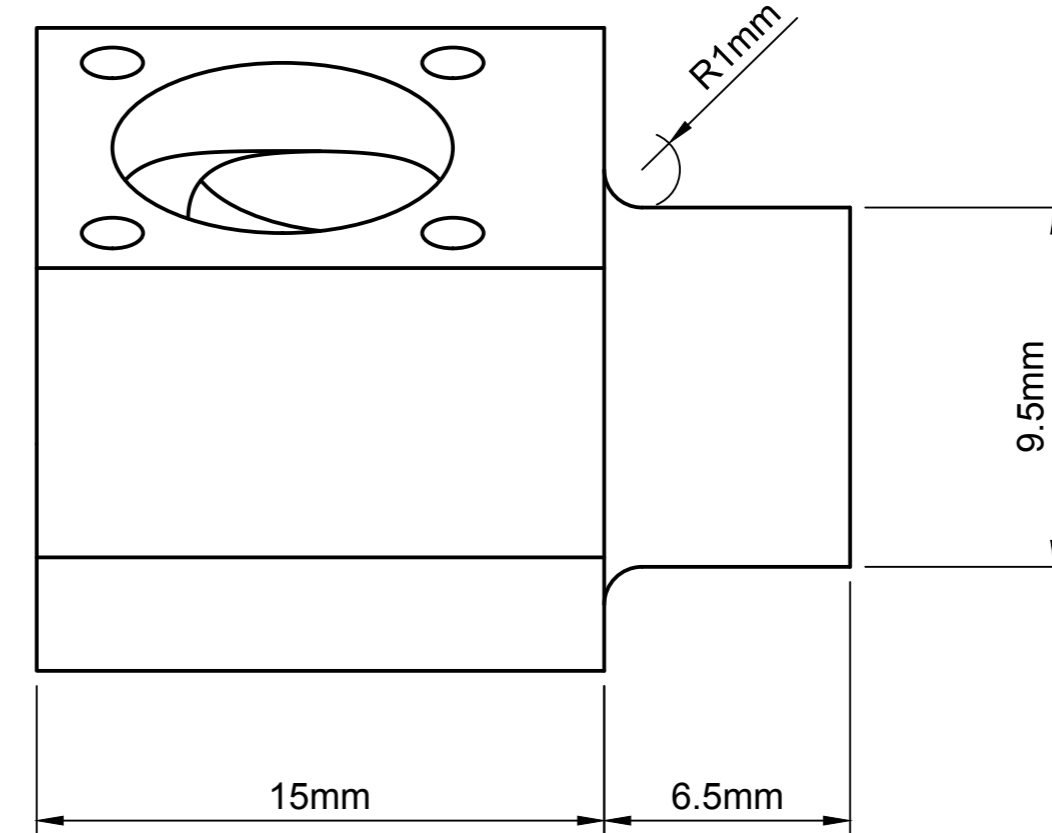
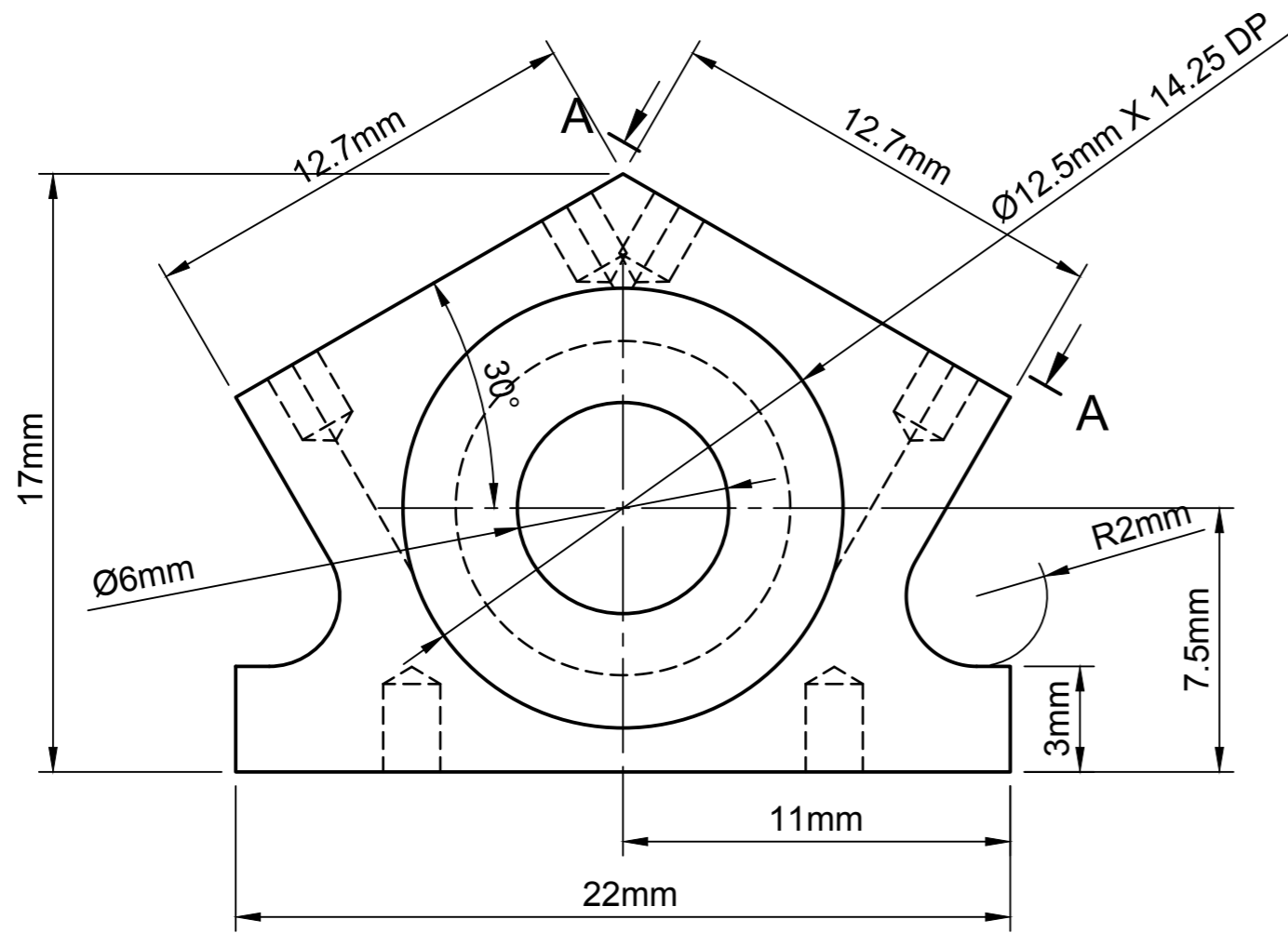
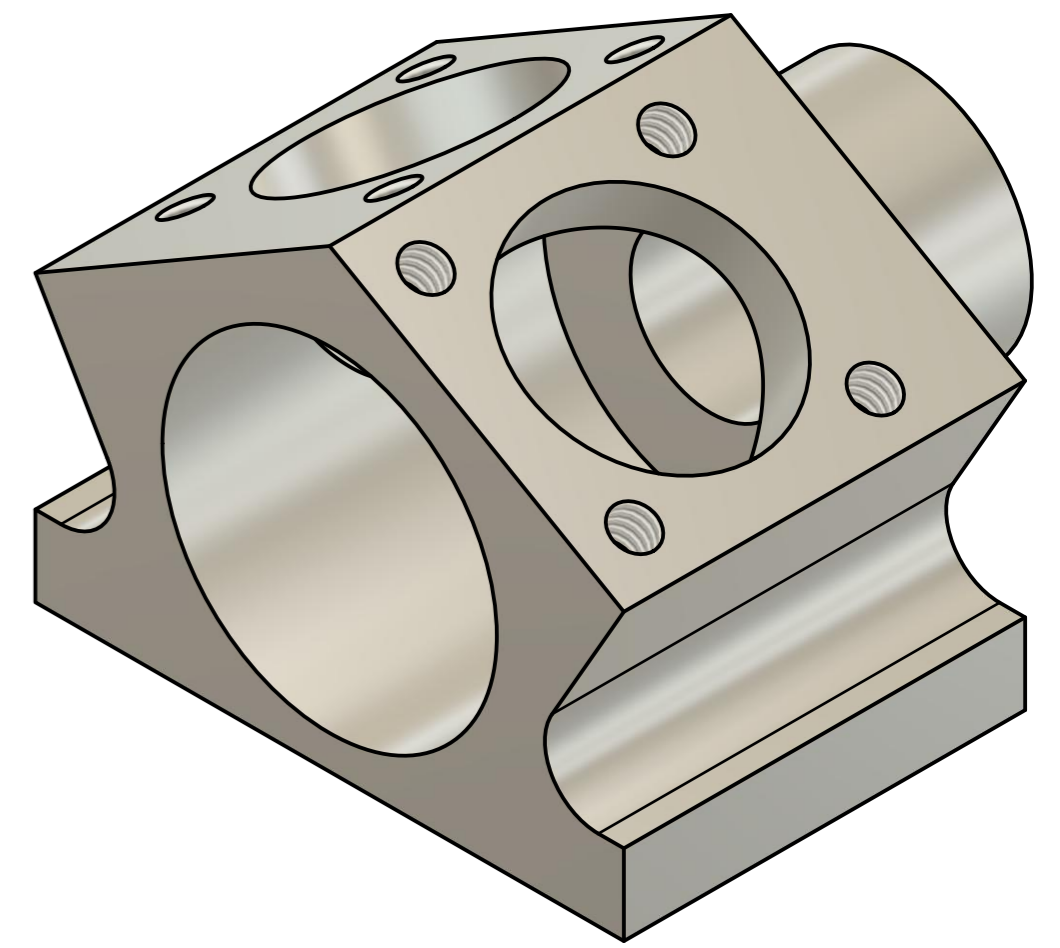
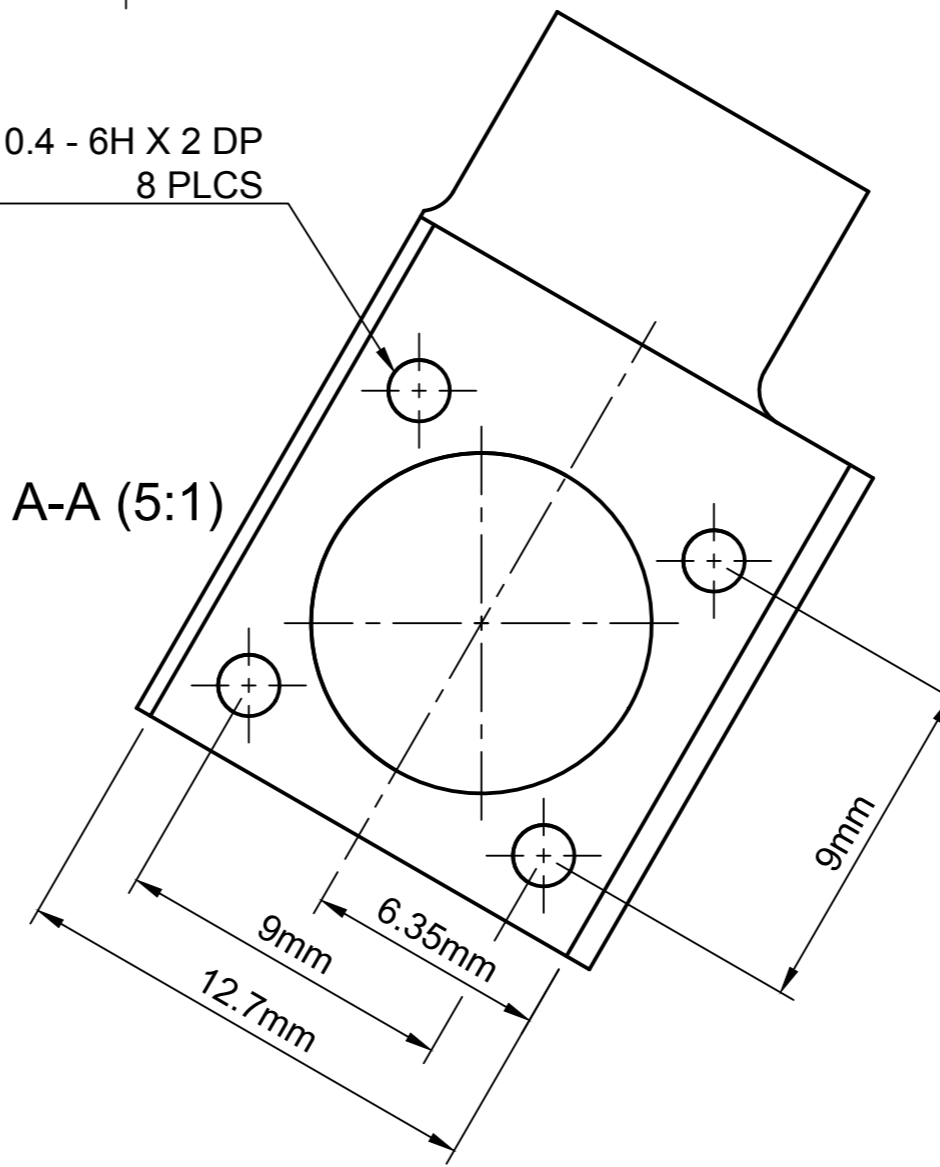



M2 X 0.4 - 6H X 2 DP
8 PLCS

A-A (5:1)



M2 X 0.4 - 6H X 2.5 DP
2 PLCS

Dept.	Technical reference	Created by DLB	12/8/2017	Approved by FSA
		Document type Example	Document status	
		Title Crankcase, Miniature	DWG No.	
Rev.	Date of issue	Sheet		
0	12/13/17	1/1		